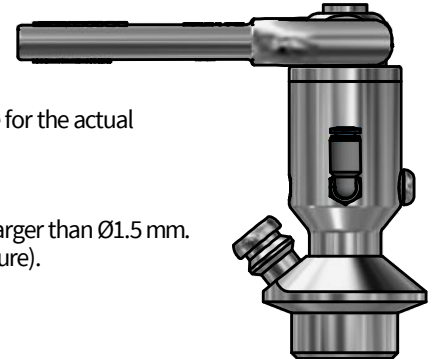


BASIX VALVE TYPE T/N

ART. NO. 450144

GENERAL

- The KEOFITT BASIX Sampling Valve is our CIP-able sampling valve for less demanding applications. Replaces non-hygienic sampling cocks. More than 20 different configurations available.
- The sampling valve can be used for any process sampling for chemical and/or physical analysis.
- Cleaning: Valve in open position: Cleanable by means of CIP using the detergent solution suitable for the actual process media. For further advice, please contact Keofitt. Autoclavable.
- Designed for sampling of liquids with a viscosity of up to approx. 100 cP containing no particles larger than Ø1.5 mm. Sampling of more viscous liquids is possible, only will it take longer (depending on process pressure).



FEATURES

- Installation: Tank welding
- Operation: Pneumatically operated / Lever handle (#600170)
- Head assembly: Hand tight using a tommy bar or maximum 15 Nm. Tommy bar included (#900118).
- Outlet: Hose piece
- Membrane: Silicone (#400051)

CERTIFICATION*

- EU EC 1935/2004 · EU EC 2023/2006 · DK No. 1248 10/2018 · 3-A Certificate · 3.1 Material Certificate
- ATEX 2014/34/EU · PED 2014/68/EU · FDA CFR 21 §177.2600 · USP Class VI · Keofitt DoC

TECHNICAL DATA

Material (process contact)

- Steel parts: AISI 316L (1.4404)
- Membrane: SILICONE, GREY (#400051)

Material (without process contact)

- Steel parts: AISI 304 (1.4307)
- Lever handle: AISI 316L (1.4404)

Membrane

- Article: SILICONE, GREY (#400051)
- Certification*: · EU EC 1935/2004 · EU EC 2023/2006 · DK No. 1248 10/2018 · FDA CFR 21 §177.2600 · USP Class VI · REACH · RoHS · ADI Free · Keofitt DoC

Surface Treatment

- Outside: $R_a \leq 1.2 \mu\text{m}$
- Inside (wetted surface): $R_a \leq 0.8 \mu\text{m}$
- Process connection: $R_a \leq 0.8 \mu\text{m}$

Pressure & Temperature

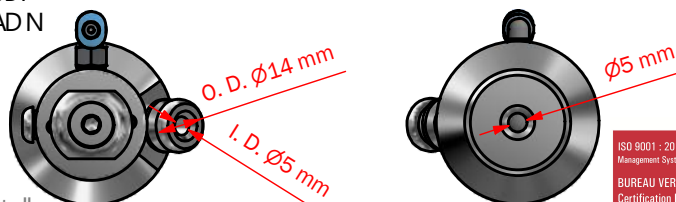
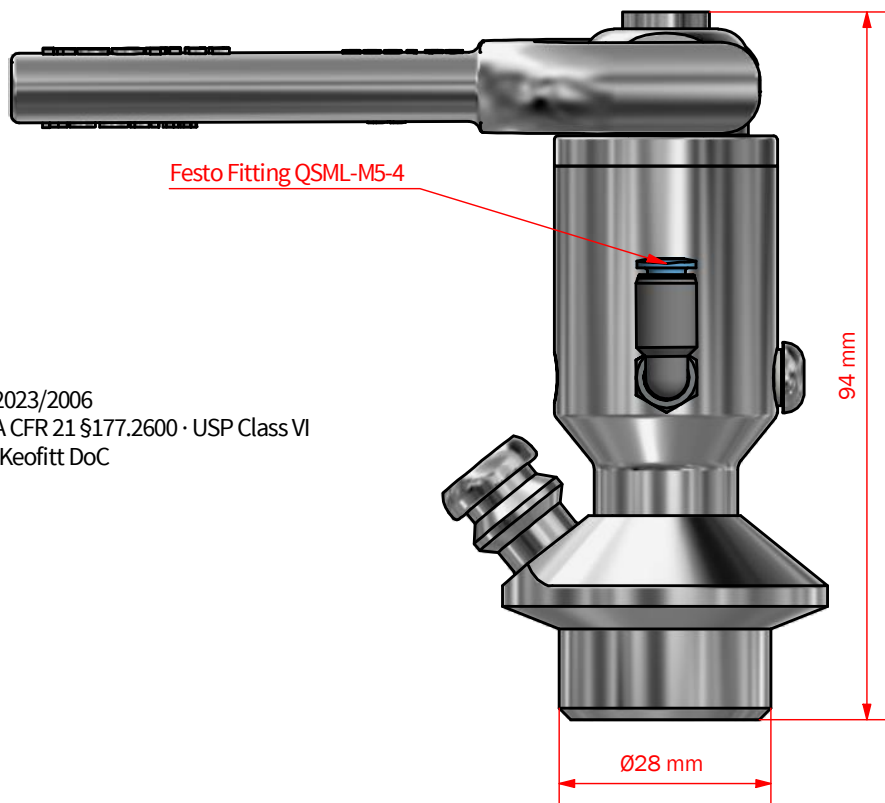
- Pressure: 0 - 6 bar / 0 - 87 psi
- Temperature: 1 - 130°C / 34 - 266°F
- Air supply: 5 - 7 bar / 73 - 102 psi

Net Weight

- kg/lbs: 0.526 kg/1.158 lbs

Spareparts

- 774501: PARTS FOR BASIX VALVE BODY
- 774444: PARTS FOR 4KA1/BASIX HEAD N



*For further information and download please visit www.keofitt.dk

KEOFITT A/S reserves the right to change technical data without notice! Valid version of the data sheets is available on www.keofitt.dk.